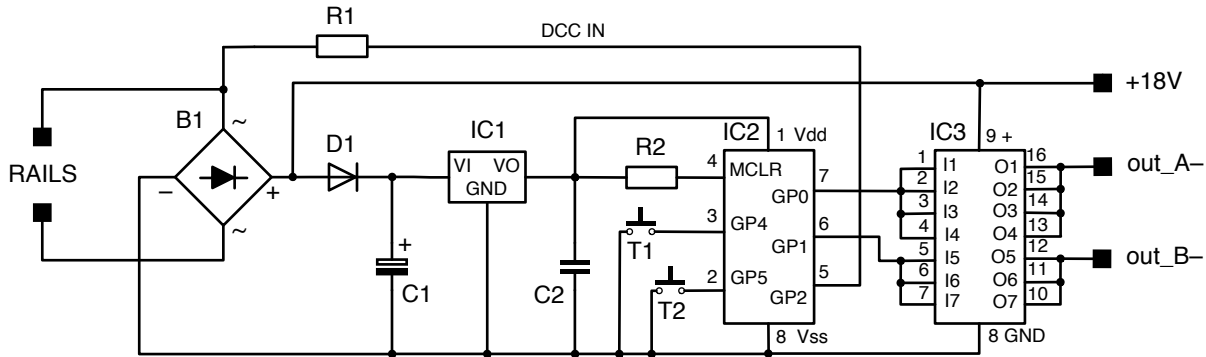


Single switch DCC decoder



B1 DB104
D1 N4148
R1 22K
R2 10K

C1 1 μ F 35V
C2 100nF
IC1 78L05
IC2 PIC12F629
IC3 ULN2003A

T1 Address prog button
T2 Timing prog button